



for**FIT**OUT[®]

design
fit out works
MEP works
floor finishes
furniture

12 years of excellence



for FITOUT is about reputation, trust, partnership, and creativity. Our area of expertise ranges from interior design to interior fit-out and MEP installations, from project management to furniture production and supply.

our company in numbers

450
happy
clients

500.000
pieces of
office
furniture

100.000
sqm of
installed
partitions

150.000
sqm of
installed
flooring finishes

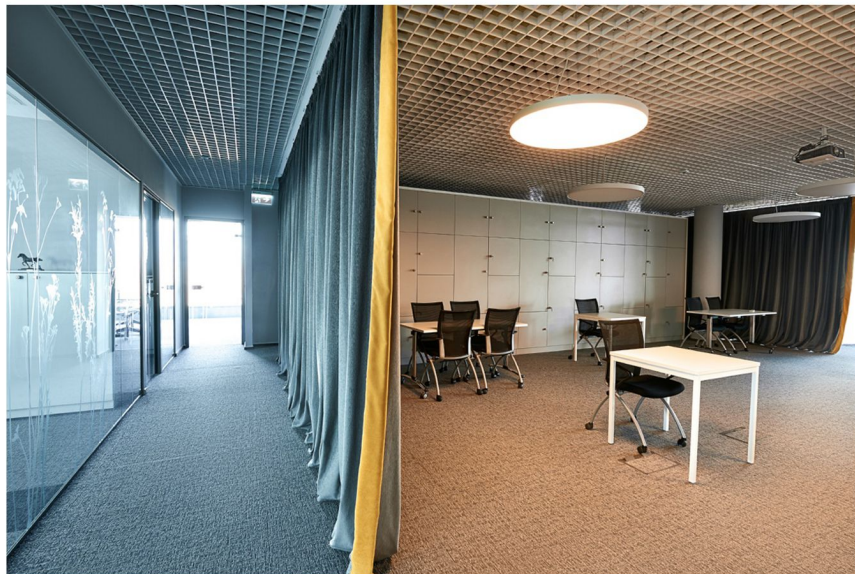
12 years of excellence

www.forfitout.ro

Design is not JUST about how it looks like, it is about how it feels like. It is about how we combine the visual (color, lighting, form) the tactile (surface, texture) and the auditory (noise, echo) to create a unique fully customized space. WE have all the practical and technical appreciation for all the elements that compound the design.

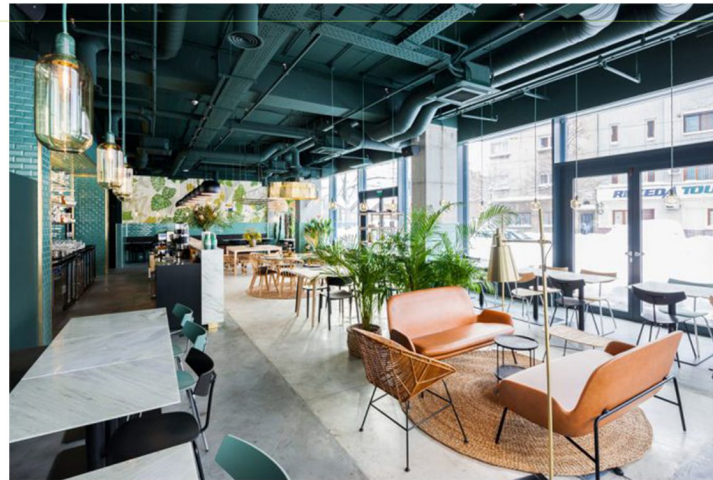


partitions systems



forFITOUT is the exclusive dealer
in Romania for ABCD
International- glass and
aluminium profile partition
systems.
WE own and offer Romanian
Technical Agreement for all
products.

furniture



You can't just fill an office space with furniture. Each piece has to be perfect.



office furniture

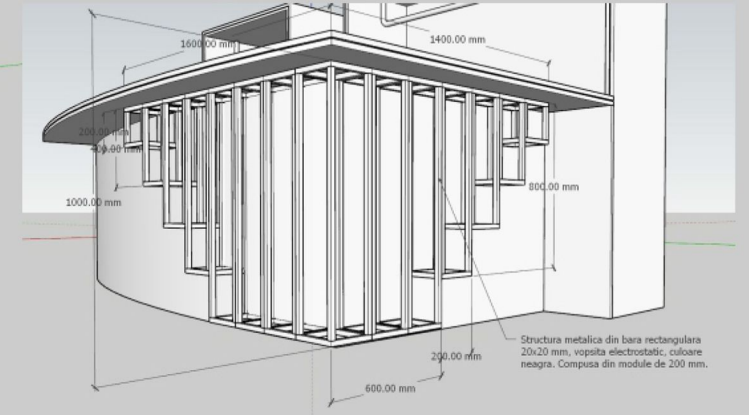
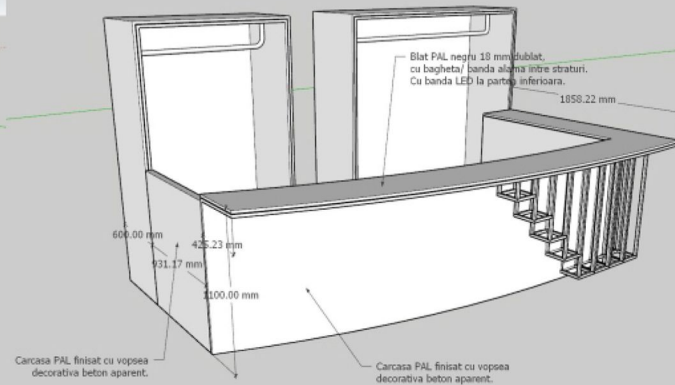
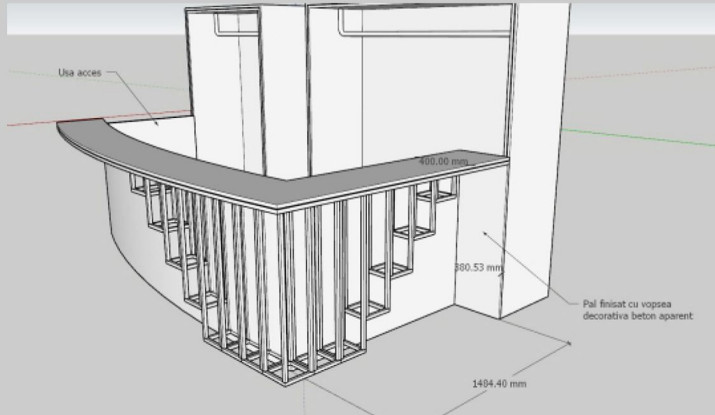
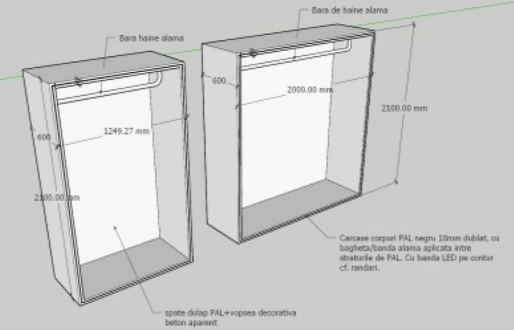
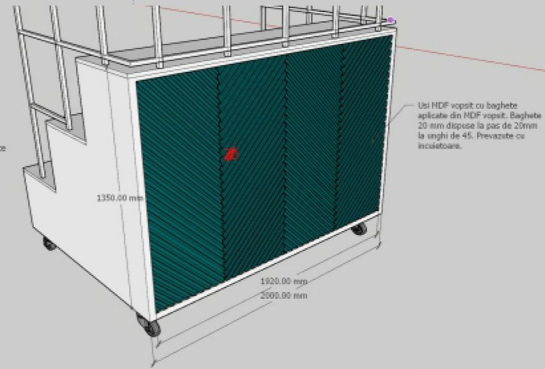
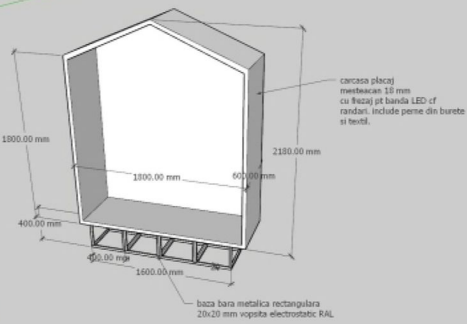
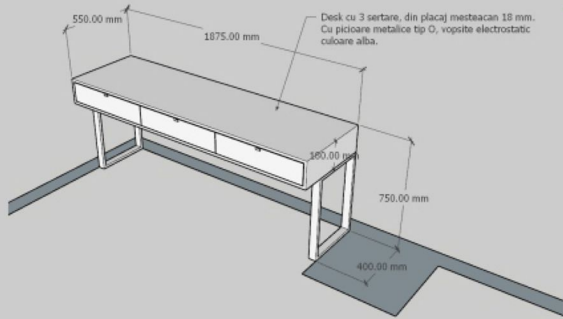
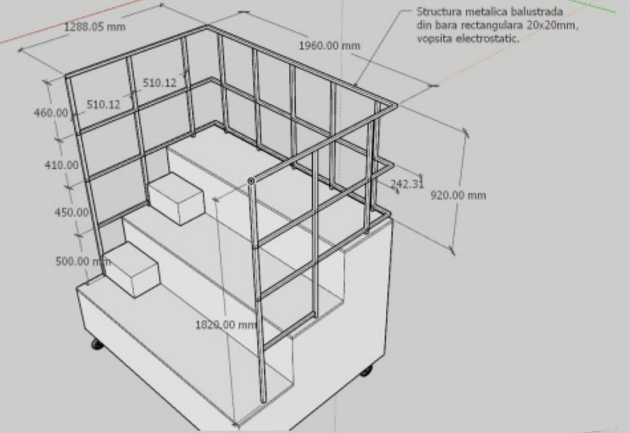
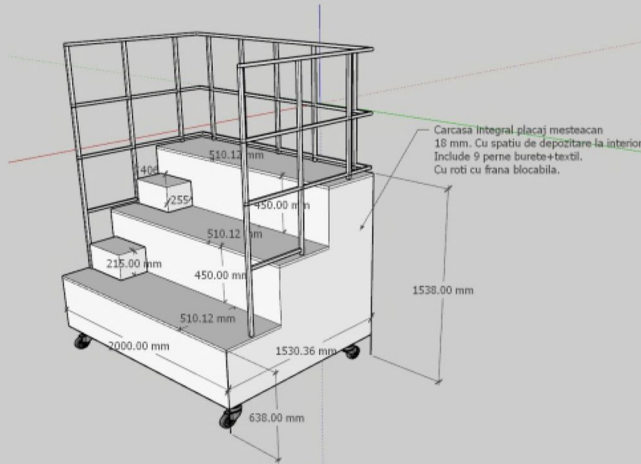
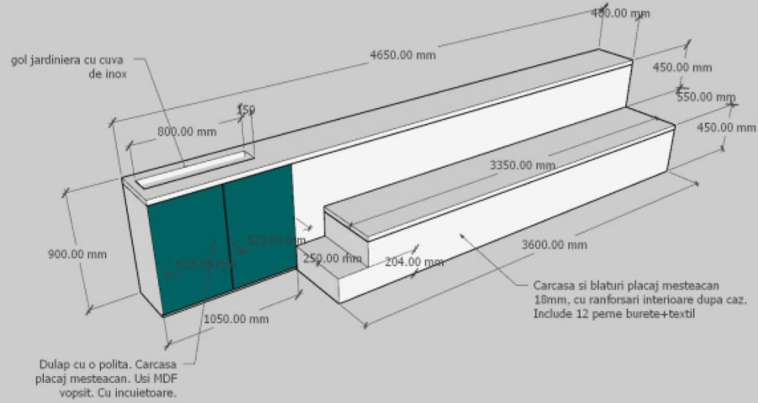
reddot award
best of the best



Red dot design award winners in our portfolio.
Because each piece has to be perfect.

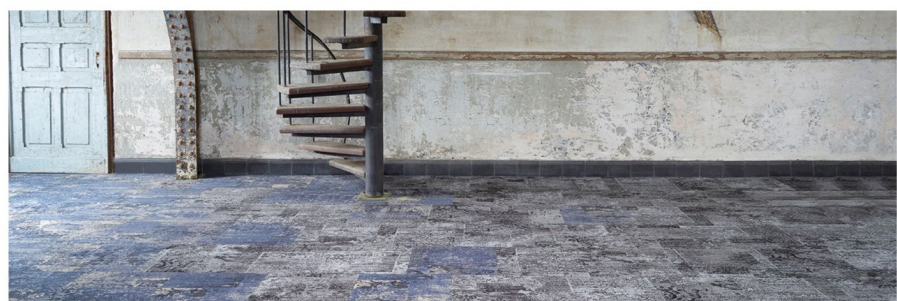
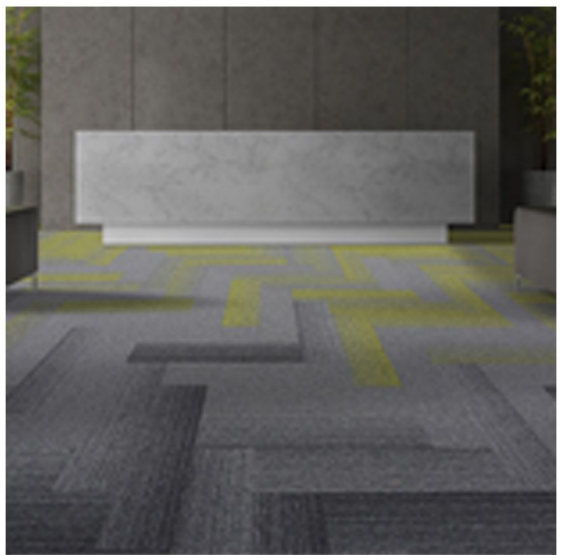
www.forfitout.ro

custom made furniture



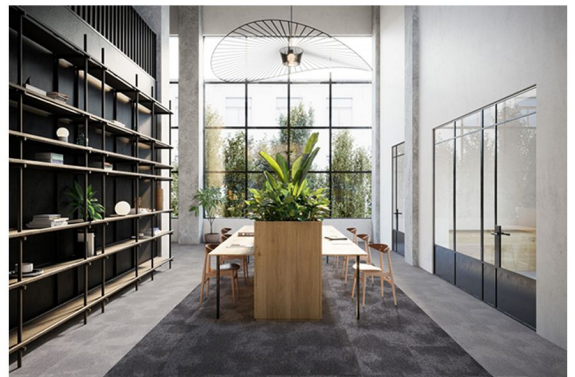
carpet floor finishes

Different textures. There's no need to choose, just mix and watch.

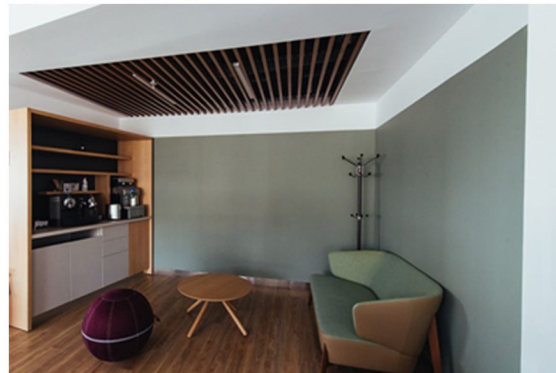
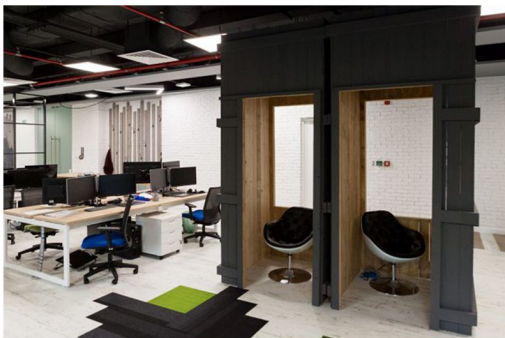
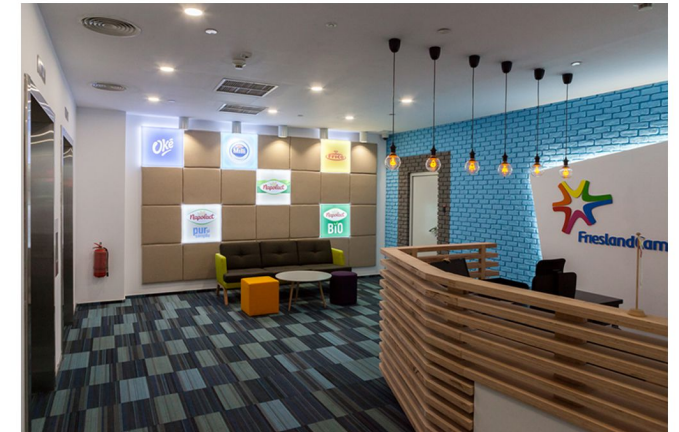
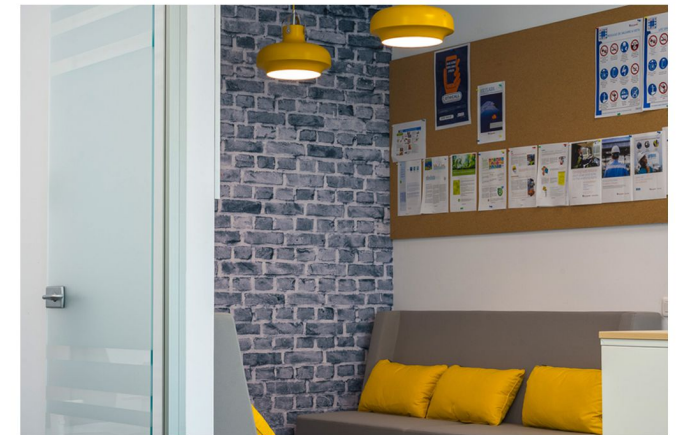


floor finishes

Vinyl floors. High traffic resistance, easy maintenance, endless patterns.



turn-key projects



meet our experienced team



Cezar Gamulescu
managing partner



Ionut Munteanu
co-managing partner



George Frant Alexandru
technical manager



Arh. Cristian Ghimus
consultant architect



Diana Gamulescu
marketing specialist



Arh. Alina Dumitrescu
design department manager



Radu Burghilea
project manager



Andra Negru
PR specialist



Oana Grecu
financial manager



Ruxandra Rizeanu
operations manager



Florin Mateiciuc
head of glass department



Camelia Dumitru
head of legal department

our clients



HONDA



ALLEN & OVERY

GENPACT



ERGO

EURO TOWER



SabrePartners



FLOREASCA TOWER



MOORE STEPHENS



DB SCHENKER



T +40 729 035 055

E office@forfitout.ro

A 215 Mihai Bravu Str, 5th Floor
Bucharest, 2nd District

W www.forfitout.ro



for**FITOUT**